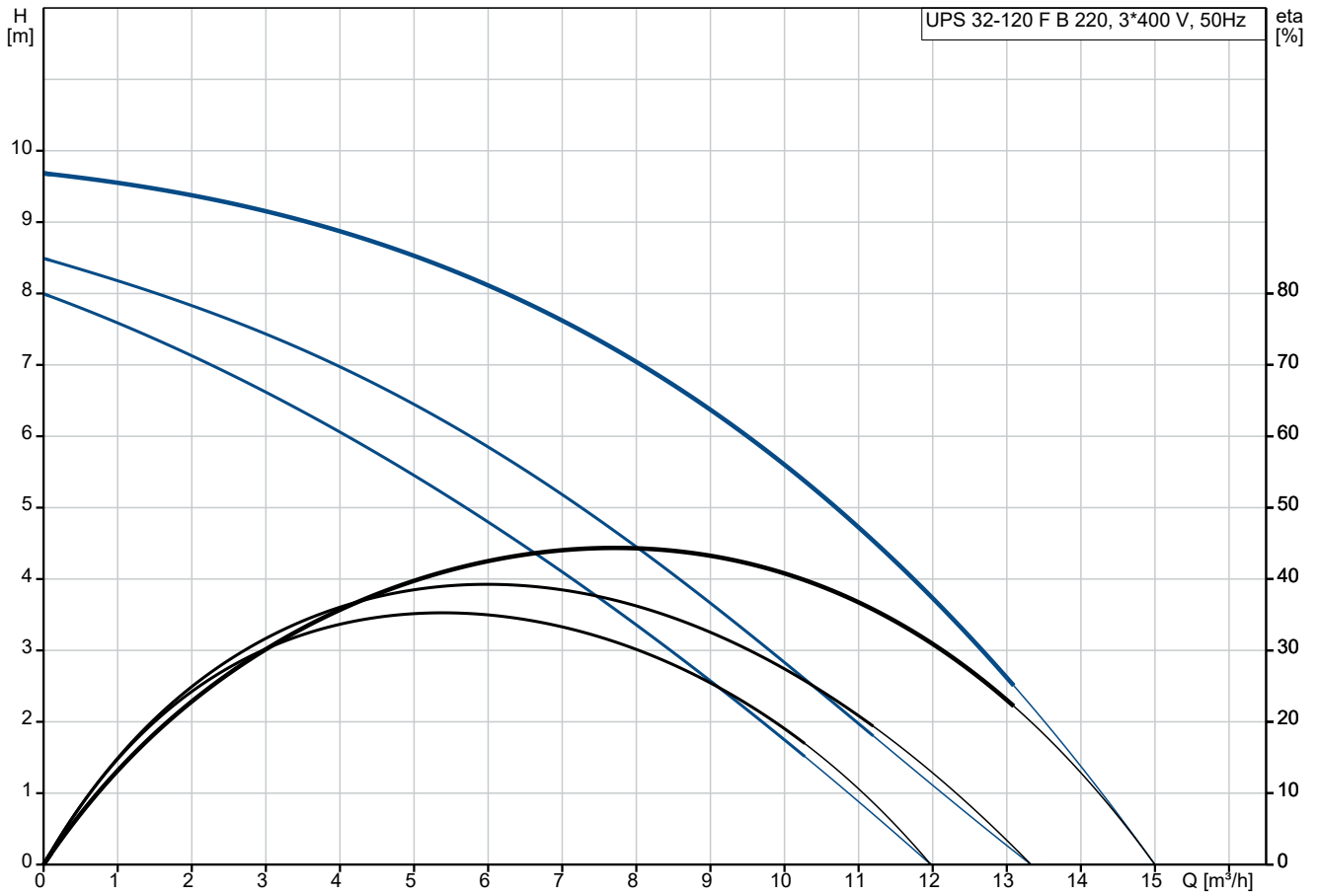
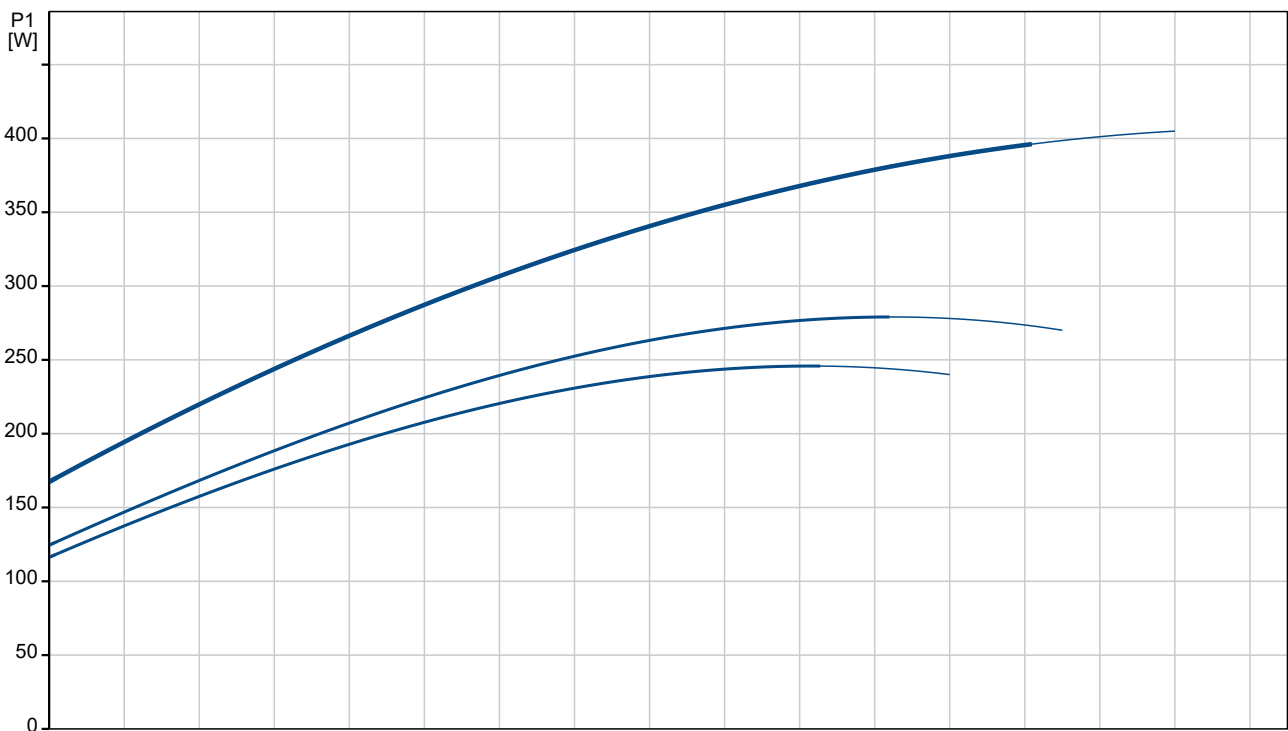


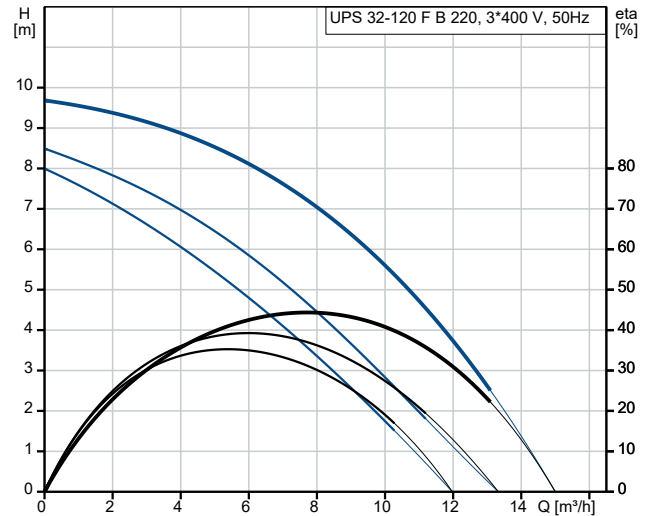
96401846 UPS 32-120 F B 220 50 Hz



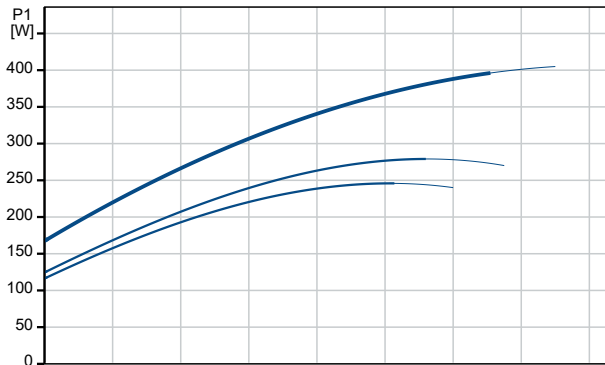
Pumped liquid = Water
 Liquid temperature during operation = 60 °C
 Density = 983.2 kg/m³



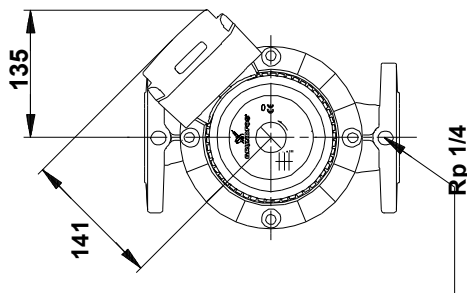
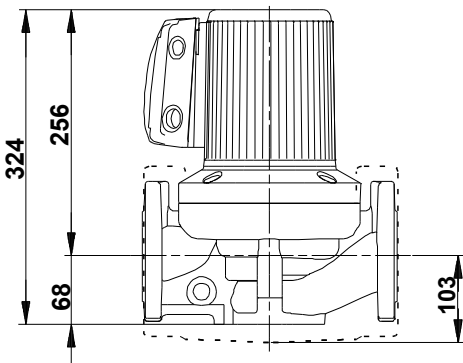
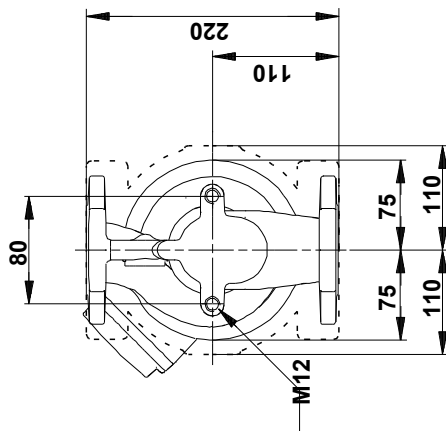
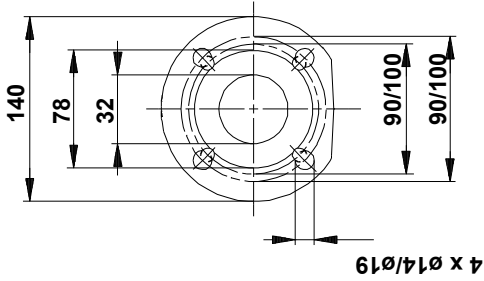
Description	Value
General information:	
Product name:	UPS 32-120 F B 220
Product No:	96401846
EAN number:	5708601065996
Technical:	
Speed no:	3
Rated flow:	7.71 m ³ /h
Rated head:	7.22 m
Maximum head:	120 dm
Approvals:	CE,EAC,AAA,WEEE
Model:	C
Materials:	
Pump housing:	Bronze
Pump housing:	2.1176.01
Pump housing:	B-271
Impeller:	Stainless steel
Impeller:	EN 1.4301
Impeller:	304
Installation:	
Range of ambient temperature:	0 .. 80 °C
Maximum operating pressure:	10 bar
Type of connection:	DIN
Size of connection:	DN 32
Pressure rating for connection:	PN 6/10
Port-to-port length:	220 mm
Liquid:	
Pumped liquid:	Water
Liquid temperature range:	-10 .. 120 °C
Selected liquid temperature:	60 °C
Density:	983.2 kg/m ³
Electrical data:	
Power input in speed 1:	245 W
Power input in speed 2:	280 W
Max. power input:	400 W
Mains frequency:	50 Hz
Rated voltage:	3 x 400-415 V
Current in speed 1:	0.42 A
Current in speed 2:	0.47 A
Current in speed 3:	0.78 A
Cos phi in speed 1:	0.84
Cos phi in speed 2:	0.86
Cos phi:	0.74
Insulation class (IEC 85):	F
Enclosure class (IEC 60529):	X4D
Built-in motor protection:	CONTACT
Thermal protec:	external
Controls:	
Relay:	without relay
Others:	
Terminal box position:	1.30H
Net weight:	19.3 kg
Gross weight:	19 kg
Shipping volume:	0.026 m ³
Danish VVS No.:	380705140



Pumped liquid = Water
 Liquid temperature during operation = 60 °C
 Density = 983.2 kg/m³



96401846 UPS 32-120 F B 220 50 Hz



Note! All units are in [mm] unless others are stated.
Disclaimer: This simplified dimensional drawing does not show all details.